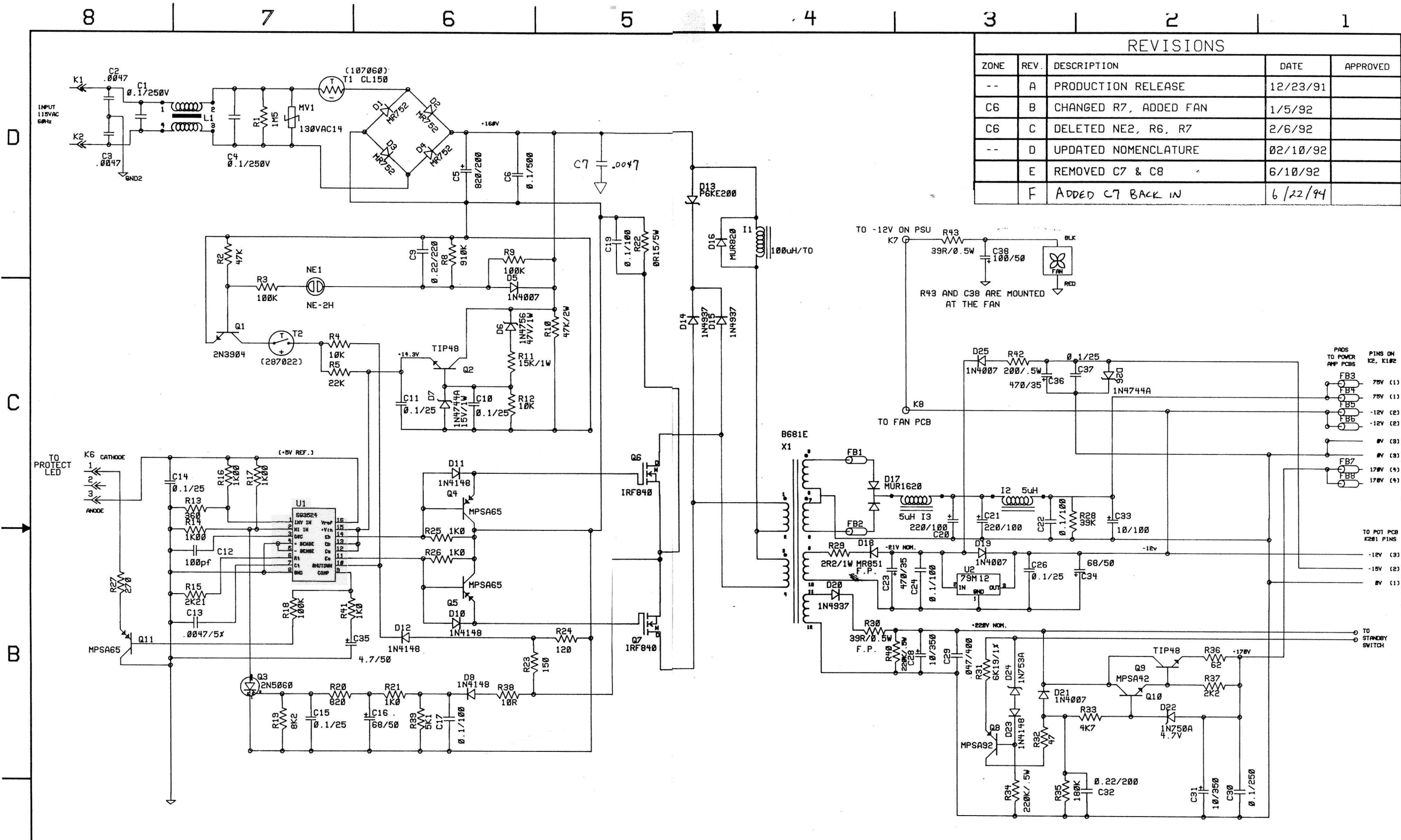


REVISIONS				
ZONE	REV.	DESCRIPTION	DATE	APPROVED
--	A	PRODUCTION RELEASE	12/23/91	
C6	B	CHANGED R7, ADDED FAN	1/5/92	
C6	C	DELETED NE2, R6, R7	2/6/92	
--	D	UPDATED NOMENCLATURE	02/10/92	
	E	REMOVED C7 & C8	6/10/92	
	F	ADDED C7 BACK IN	6/22/94	



NOTE: R24 & R39 ARE OPTIONAL.

<b>PROPRIETARY</b> THIS DRAWING DOCUMENT CONTAINS INFORMATION WHICH IS PROPRIETARY TO AND THE PROPERTY OF ADA, INC. AND MAY NOT BE USED, REPRODUCED OR DISCLOSED IN ANY MANNER WITHOUT THE EXPRESSED WRITTEN CONSENT OF ADA, INC.		ADA SIGNAL PROCESSORS, INC. 7303 D EDGEWATER DRIVE OAKLAND, CA 94621 USA	
FILENAME UT_PSU CHECKED BY: DATE:		SCHEMATIC: MICROTUBE 200 POWER SUPPLY DRAWN: Lynx SIZE DRAWING NUMBER <b>C686</b>	
APPROVED: DATE:		ENGR: Randy SCALE: -- DATE: 17-MAR-88 SHEET 1 OF 1	
		REV. <b>F</b>	

