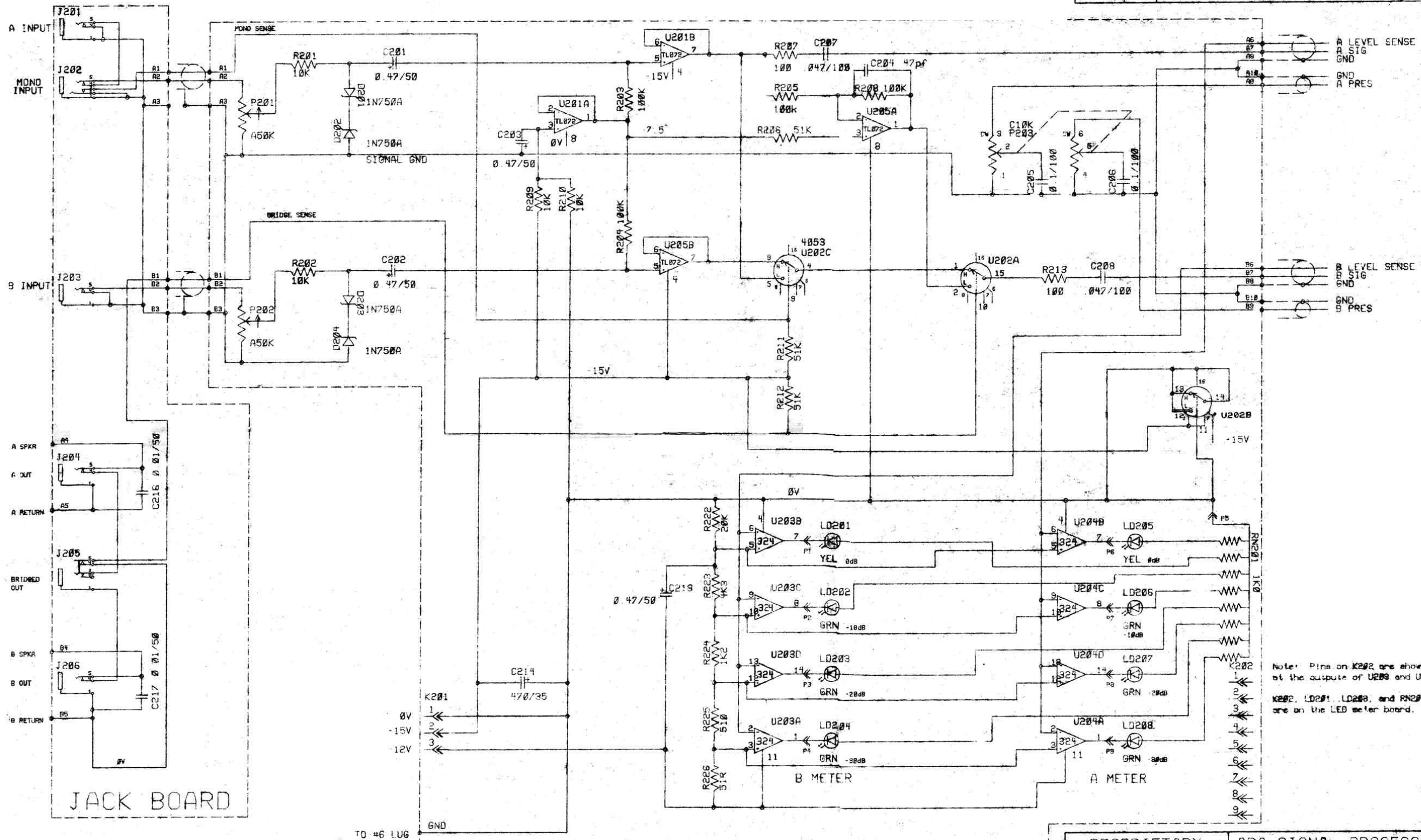


REVISIONS

ZONE	REV	DESCRIPTION	DATE	APPROVED
--	4	CORRECTED C204, C214	8/28/91	
--	5	CHANGED P203	10/23/91	
--	6	CHG'D C214, ADDED C216, C217	11/11/91	
--	A	PRODUCTION RELEASE	12/23/91	



Note: Pins on K202 are shown at the outputs of U203A and U203B. K202, LD201, LD202, and RN201 are on the LED meter board.

POT & METER BOARD

<p>PROPRIETARY</p> <p>THIS DRAWING DOCUMENT CONTAINS INFORMATION WHICH IS PROPRIETARY TO AND THE PROPERTY OF ADA, INC. AND MAY NOT BE USED, REPRODUCED OR DISCLOSED IN ANY MANNER WITHOUT THE EXPRESSED WRITTEN CONSENT OF ADA, INC.</p>		<p>ADA SIGNAL PROCESSORS, INC.</p> <p>7303 D EDGEWATER DRIVE</p> <p>OAKLAND, CA 94621 USA</p>	
<p>FILENAME UT_C.DBF</p>		<p>SCHEMATIC, MICROTUBE POT &amp; JACK BRDS</p>	
<p>CHECKED BY</p> <p>DATE</p>	<p>DRAWN Lynx</p> <p>ENGR Randy</p>	<p>SIZE</p> <p>DRAWING NUMBER</p> <p><b>C685</b></p>	<p>REV</p> <p><b>A</b></p>
<p>APPROVED</p> <p>DATE</p>	<p>SCALE: --</p>	<p>DATE: 23-DEC-91</p>	<p>SHEET 1 OF 1</p>

