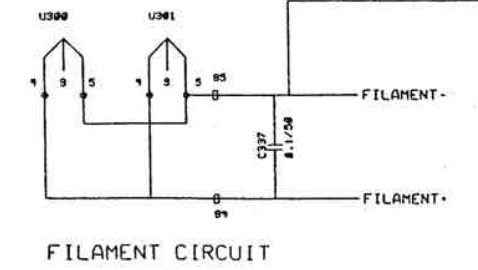
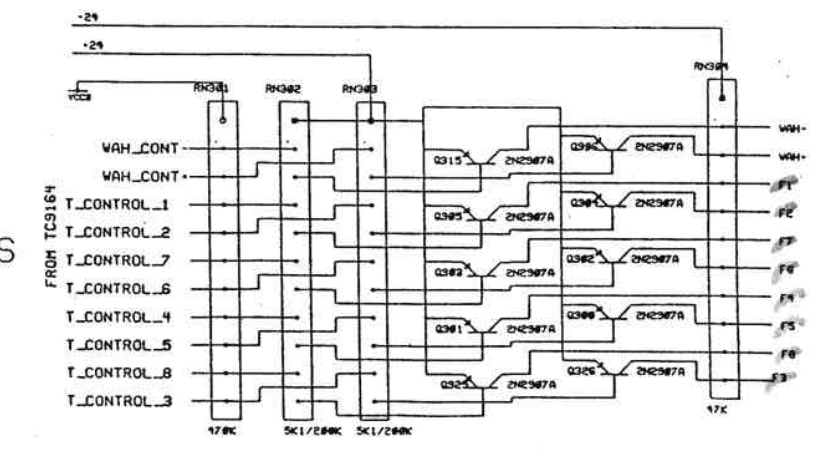
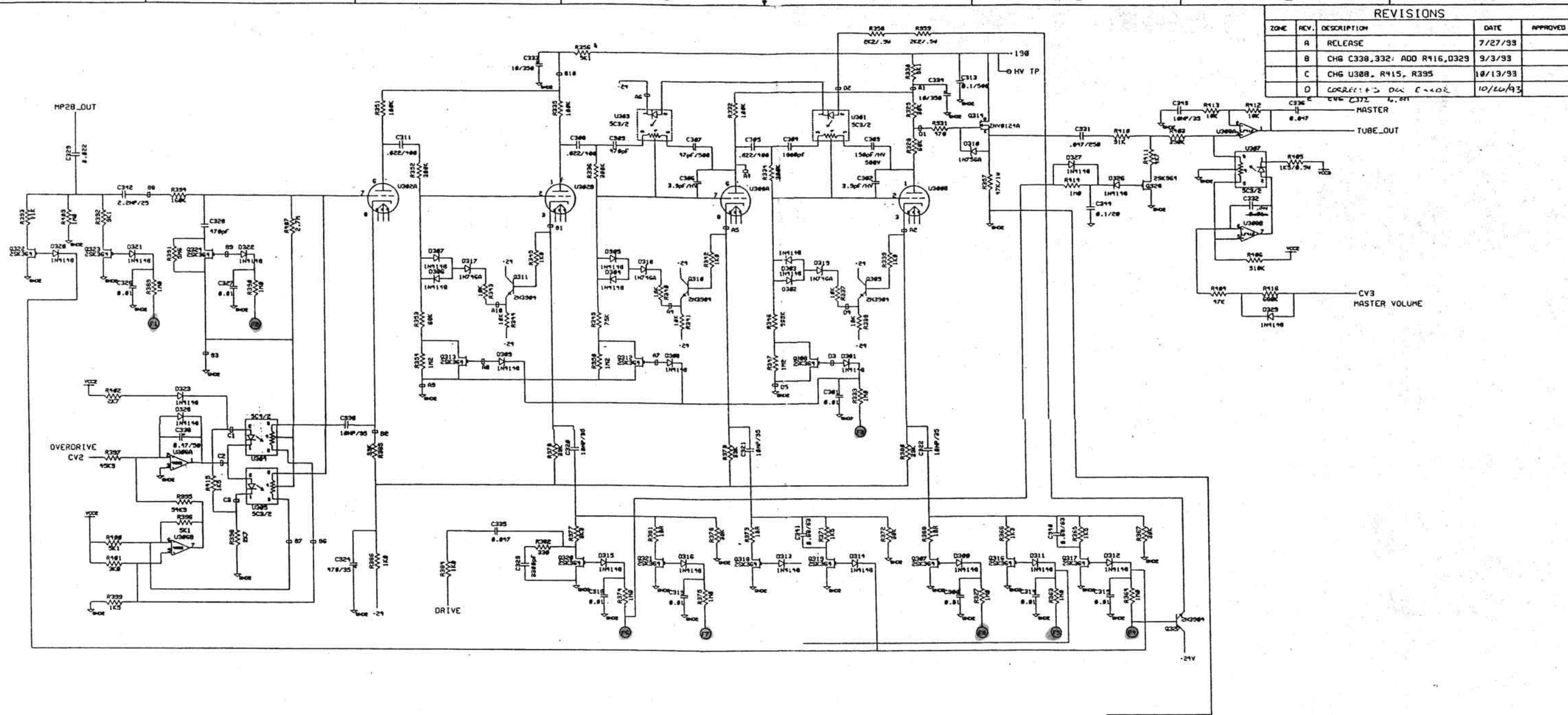


REVISIONS				
ZONE	REV.	DESCRIPTION	DATE	APPROVED
	A	RELEASE	7/27/93	
	B	CHG C338,332: ADD R116,0329	9/3/93	
	C	CHG U308, R415, R395	10/13/93	
	D	CORRECTED Dwg ENDOR	10/26/93	



LEVEL SHIFTERS

FILAMENT CIRCUIT

DWG	MP2 SCHEMATIC LIST TITLE	FILE
0850	MICROPROCESSOR AND INTERFACE	MP2A
0851	INPUT PREAMP, COMPRESSOR, WAH	MP2B
0852	TUBE CKTS, MASTER VOLUME	MP2C
0853	PASSIVE AND ACTIVE EQ	MP2D
0854	CHORUS, EFFECTS LOOP, NOISE GATE	MP2E
0855	OUTPUT MIXERS, DRVS AND CONTROLS	MP2F
0856	LED METER AND POWER SUPPLY	MP2G

PROPRIETARY <small>THIS DRAWING DOCUMENT CONTAINS INFORMATION WHICH IS PROPRIETARY TO AND IS THE PROPERTY OF ADA SIGNAL PROCESSORS, INC. AND MAY NOT BE USED, REPRODUCED OR DISCLOSED IN ANY MANNER WITHOUT THE EXPRESS WRITTEN CONSENT OF ADA SIGNAL PROCESSORS, INC.</small>		ADA SIGNAL PROCESSORS, INC 420 LESSER STREET OAKLAND, CA 94601
MP-2 SCHEMATIC: TUBE STAGES, MASTER VOLUME		DATABASE FILE: MP2C.DBF
DRAWN: EMB ENGR: RTS/DJT	SIZE: D DRAWING NUMBER: 852	CHECKED BY: APPROVED:
SCALE:		DATE: 26-OCT-93 SHEET 1

