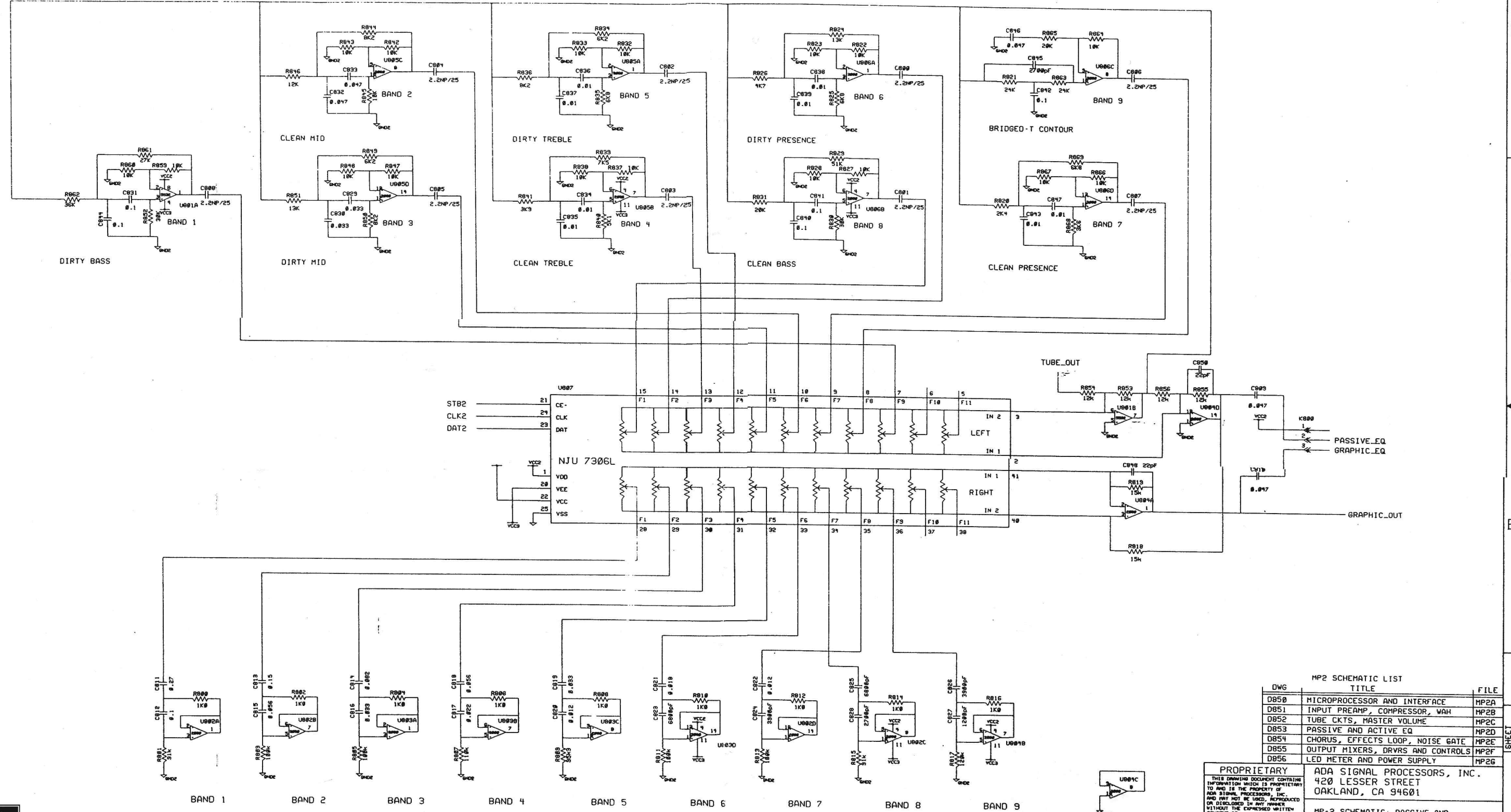


REVISIONS				
ZONE	REV.	DESCRIPTION	DATE	APPROVED
	A	RELEASE	7/27/93	
	B	ADDED C850, CRRCTD U805, U806	9/15/93	



DWG	TITLE	FILE
D850	MICROPROCESSOR AND INTERFACE	MP2A
D851	INPUT PREAMP, COMPRESSOR, WAH	MP2B
D852	TUBE CKTS, MASTER VOLUME	MP2C
D853	PASSIVE AND ACTIVE EQ	MP2D
D854	CHORUS, EFFECTS LOOP, NOISE GATE	MP2E
D855	OUTPUT MIXERS, DRVRS AND CONTROLS	MP2F
D856	LED METER AND POWER SUPPLY	MP2G

PROPRIETARY THIS DRAWING DOCUMENT CONTAINS INFORMATION WHICH IS PROPRIETARY TO AND IS THE PROPERTY OF ADA SIGNAL PROCESSORS, INC. AND MAY NOT BE USED, REPRODUCED OR DISCLOSED IN ANY MANNER WITHOUT THE EXPRESSED WRITTEN CONSENT OF ADA SIGNAL PROCESSORS, INC.		ADA SIGNAL PROCESSORS, INC. 420 LESSER STREET OAKLAND, CA 94601
DATABASE FILE: MP20.DBF		MP-2 SCHEMATIC: PASSIVE AND GRAPHIC EQUALIZERS
CHECKED BY:	ENGR: DJT	SCALE:
APPROVED:	DATE: 16-SEP-93	SHEET 1 OF 1