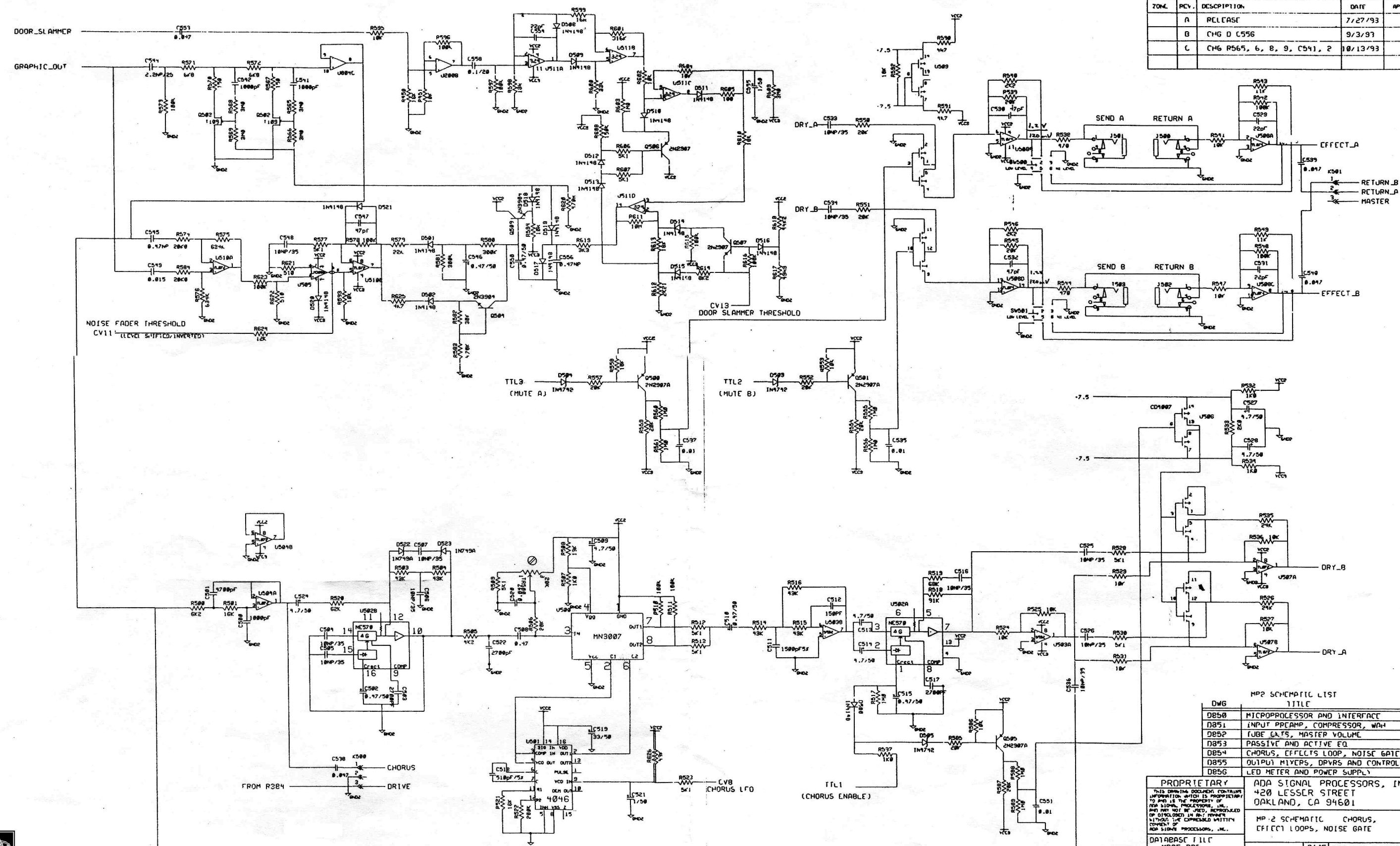


REVISIONS				
ZONE	REV.	DESCRIPTION	DATE	APPROVED
	A	RELEASE	7/27/93	
	B	CHG D C556	9/3/93	
	C	CHG R565, 6, 8, 9, C541, 2	10/13/93	



DWG	TITLE	FILE
DB50	MICROPROCESSOR AND INTERFACE	MP2A
DB51	INPUT PREAMP, COMPRESSOR, WNH	MP2B
DB52	TUBE EQS, MASTER VOLUME	MP2C
DB53	PASSIVE AND ACTIVE EQ	MP2D
DB54	CHORUS, EFFECTS LOOP, NOISE GATE	MP2E
DB55	OUTPUT MIXERS, DRYS AND CONTROLS	MP2F
DB56	LED METER AND POWER SUPPLY	MP2G

PROPRIETARY
 THIS DRAWING DOCUMENT CONTAINS INFORMATION WHICH IS PROPRIETARY TO AND IS THE PROPERTY OF ADA SIGNAL PROCESSORS, INC. AND MAY NOT BE USED, REPRODUCED OR DISCLOSED IN ANY MANNER WITHOUT THE EXPRESS WRITTEN CONSENT OF ADA SIGNAL PROCESSORS, INC.

MP-2 SCHEMATIC CHORUS, EFFECT LOOPS, NOISE GATE

DATE: 11-11-93	SCALE:	DATE: 12-OCT-93	SHEET: 1 OF 7
----------------	--------	-----------------	---------------