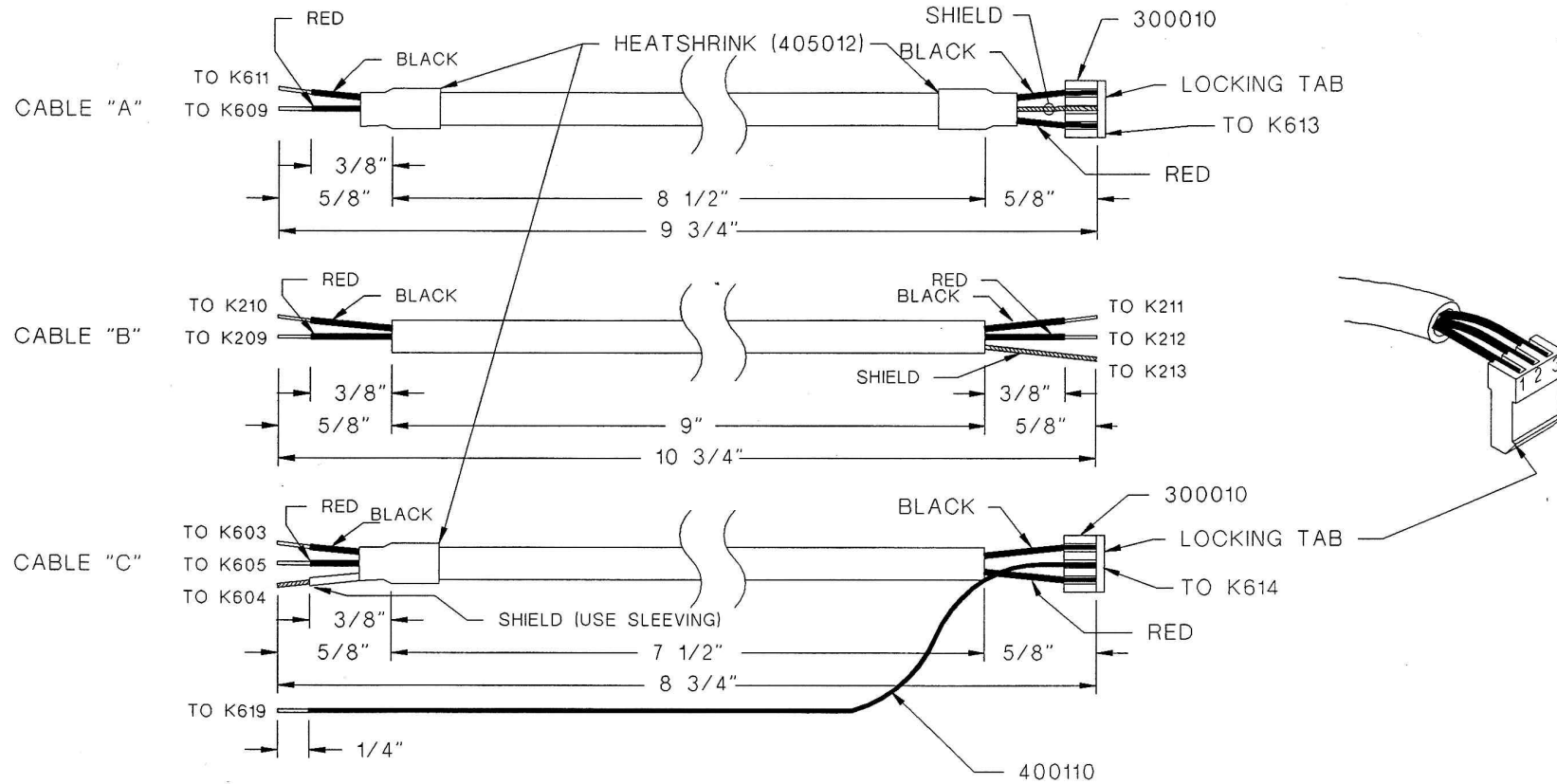


REVISION HISTORY			
REV.	DESCRIPTION	SIGNATURE	DATE
A	RELEASE		8/10/93
B	CHG'D CONNCTR DRAWING		8/19/93

SHIELDED CABLE ASSEMBLIES
(USE WIRE 400350)



<http://www.adadepot.com>

THIS DRAWING DOCUMENT CONTAINS INFORMATION WHICH IS PROPRIETARY TO AND THE PROPERTY OF ADA, INC. AND MAY NOT BE USED, REPRODUCED OR DISCLOSED IN ANY MANNER WITHOUT THE EXPRESSED CONSENT OF ADA, INC.

FILE NAME: A866B.DWG

CHECKED BY:

DATE:

APPROVED BY:

DATE:



SIGNAL PROCESSORS, INC.
 420 LESSER STREET, OAKLAND, CA 94601

TITLE

MP2, SHIELDED CABLE LIST

DRAWN: D.WIRT	SIZE A	DRAWING NO. 866	REV B
ENGR:	© COPYRIGHT 1993	SCALE:	DATE: 8/10/93
		SHEET 1 OF 1	