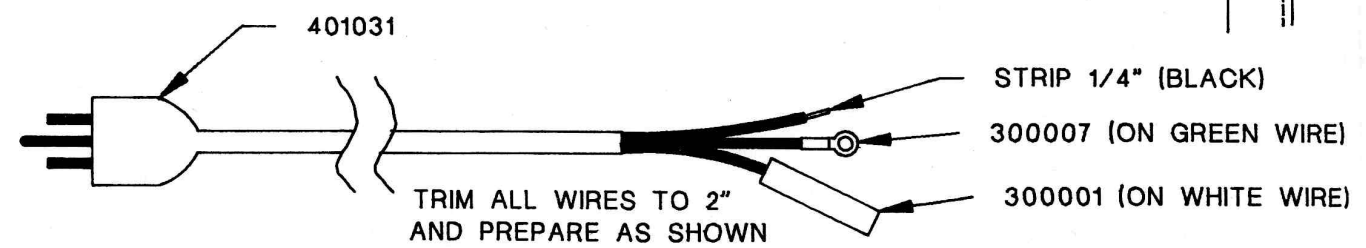
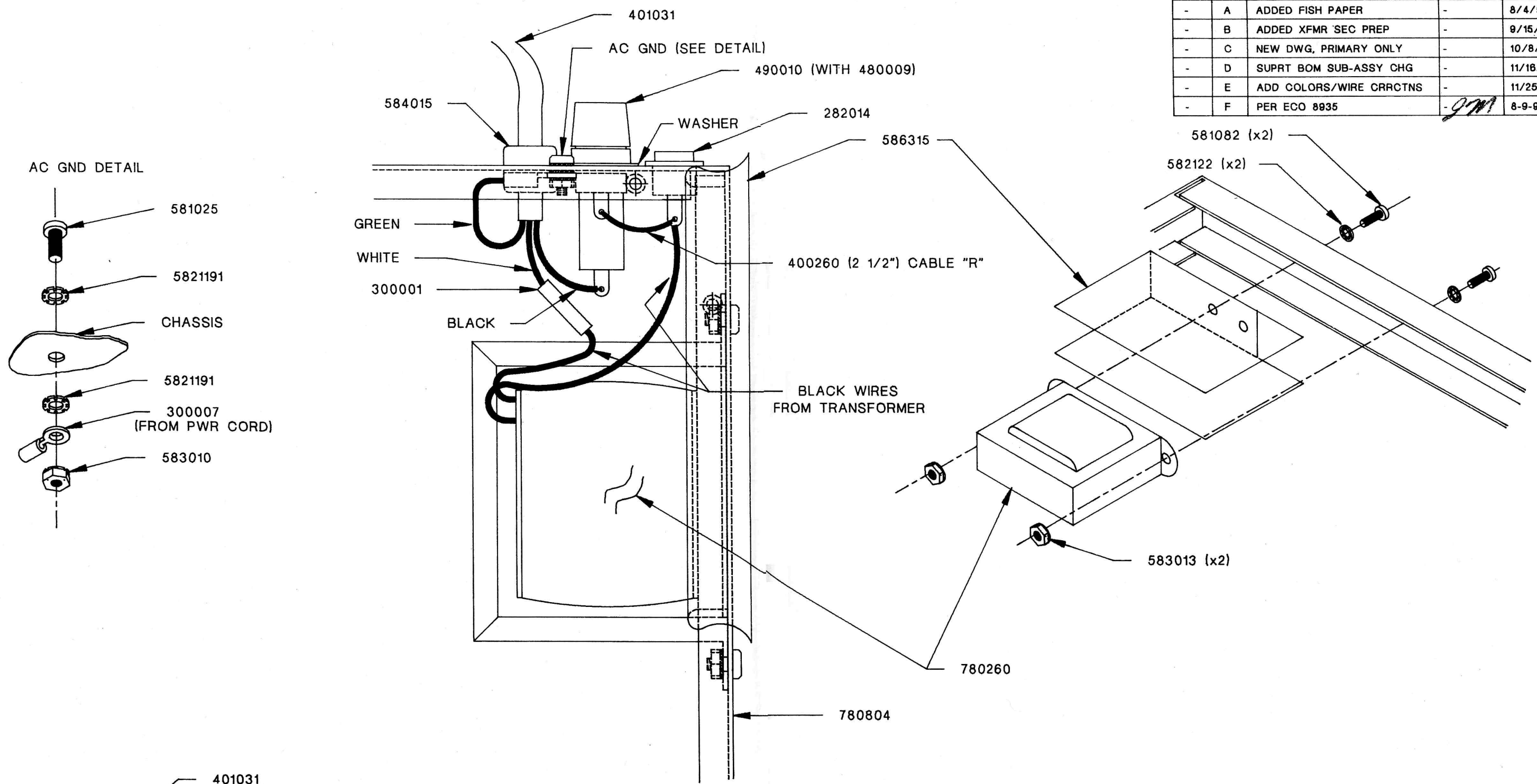


REVISION HISTORY				
ZONE	REV.	DESCRIPTION	SIGNATURE	DATE
-	A	ADDED FISH PAPER	-	8/4/93
-	B	ADDED XFMR SEC PREP	-	9/15/93
-	C	NEW DWG, PRIMARY ONLY	-	10/8/93
-	D	SUPRT BOM SUB-ASSY CHG	-	11/16/93
-	E	ADD COLORS/WIRE CRCTNS	-	11/25/93
-	F	PER ECO 8835	<i>gm</i>	8-9-94



THIS DRAWING DOCUMENT CONTAINS INFORMATION WHICH IS PROPRIETARY TO AND THE PROPERTY OF ADA, INC. AND MAY NOT BE USED, REPRODUCED OR DISCLOSED IN ANY MANNER WITHOUT THE EXPRESSED CONSENT OF ADA, INC.

FILE NAME: B842F.DWG  
 CHECKED BY:  
 DATE:  
 APPROVED BY:  
 DATE:

**ADA SIGNAL PROCESSORS, INC.**  
 420 LESSER STREET, OAKLAND, CA 94601

TITLE: MP-2, PRIMARY/TRANSFORMER WIRING ASSEMBLY, 117VAC (780801)

DRAWN: D.WIRT	SIZE: B	DRAWING NO.: 842	REV: F
ENGR:	DATE: 10/8/93	SCALE:	SHEET 1 OF 1

© COPYRIGHT 1993