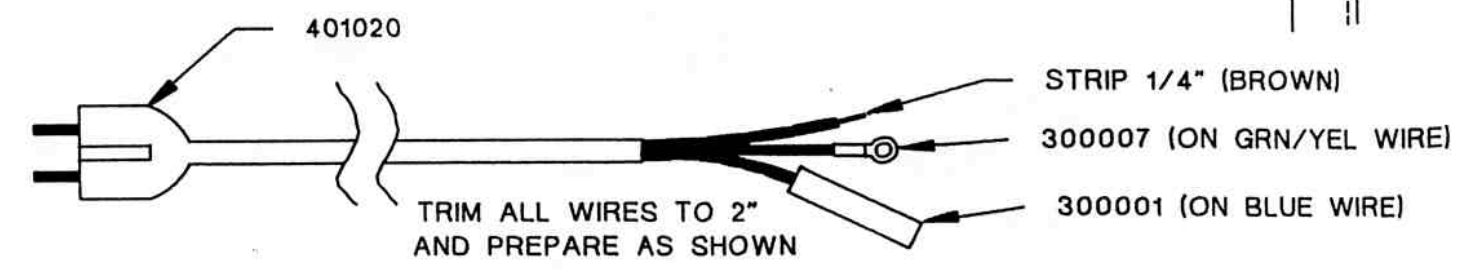
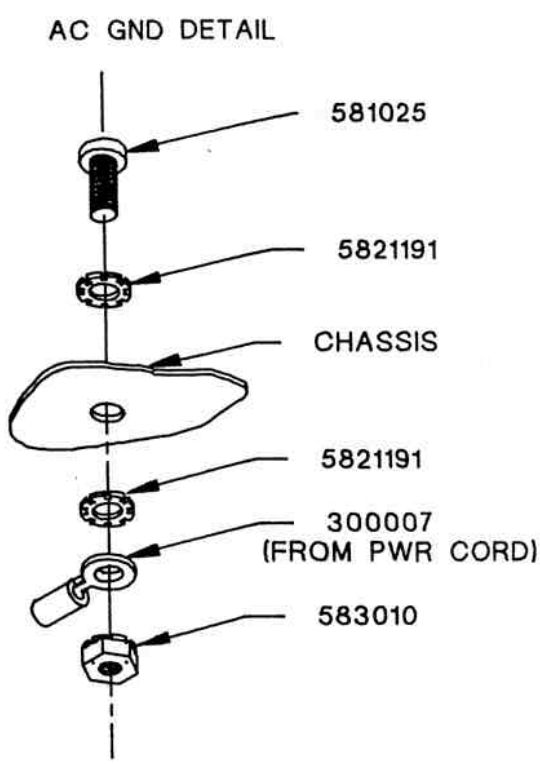
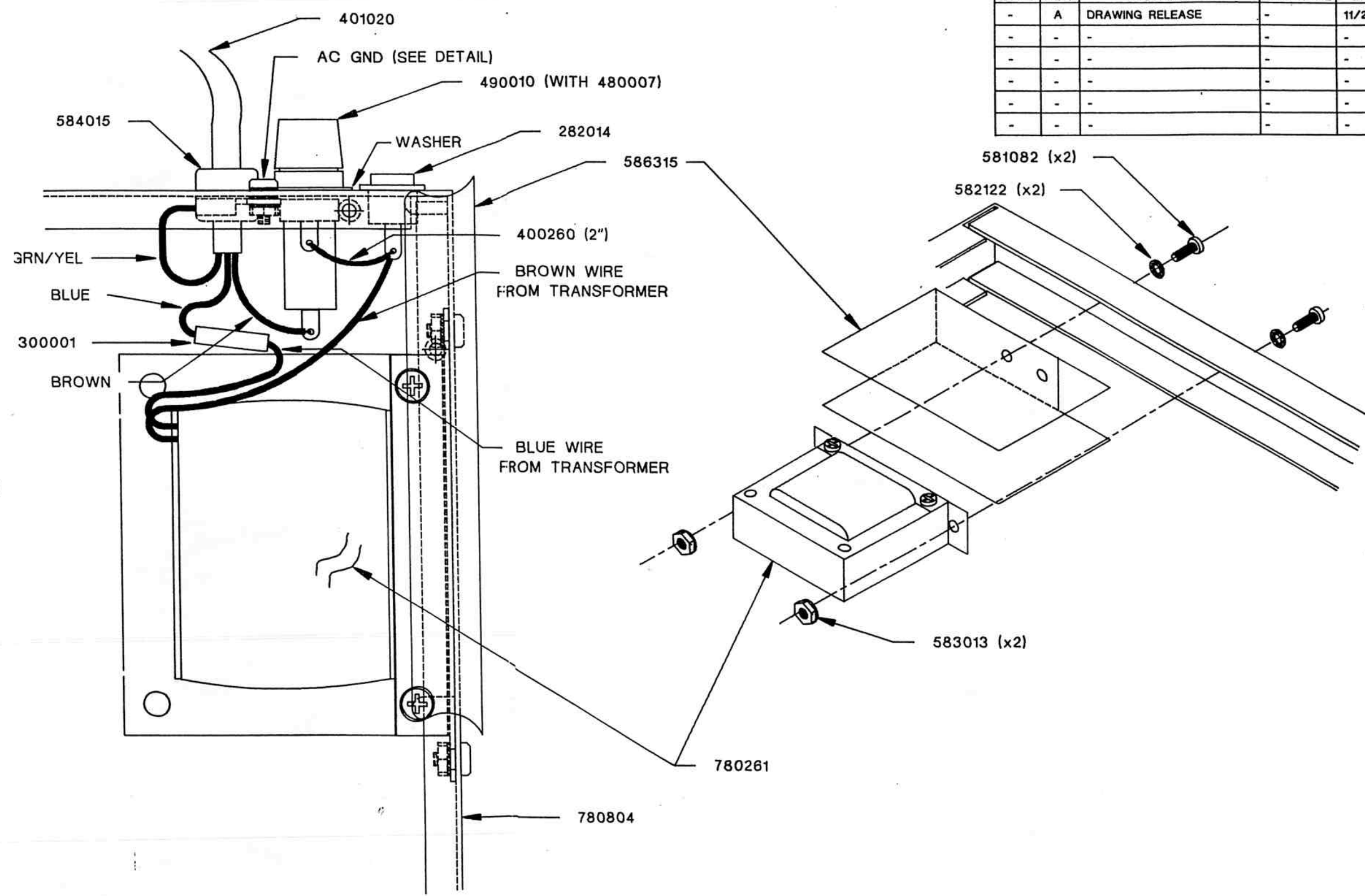


REVISION HISTORY				
ZONE	REV.	DESCRIPTION	SIGNATURE	DATE
-	A	DRAWING RELEASE	-	11/24/93
-	-	-	-	-
-	-	-	-	-
-	-	-	-	-
-	-	-	-	-



THIS DRAWING DOCUMENT CONTAINS INFORMATION WHICH IS PROPRIETARY TO AND THE PROPERTY OF ADA, INC. AND MAY NOT BE USED, REPRODUCED OR DISCLOSED IN ANY MANNER WITHOUT THE EXPRESSED CONSENT OF ADA, INC.		ADA SIGNAL PROCESSORS, INC. 420 LESSER STREET, OAKLAND, CA 94601		
FILE NAME: B957A.DWG	TITLE MP-2, PRIMARY/TRANSFORMER WIRING ASSEMBLY, 230VAC (780802)			
CHECKED BY:	DRAWN: D.WIRT	SIZE: B	DRAWING NO. 957	REV: A
DATE:	ENGR:	DATE: 11/24/93		SHEET 1 OF 1
APPROVED BY:	© COPYRIGHT 1993		SCALE:	
DATE:				