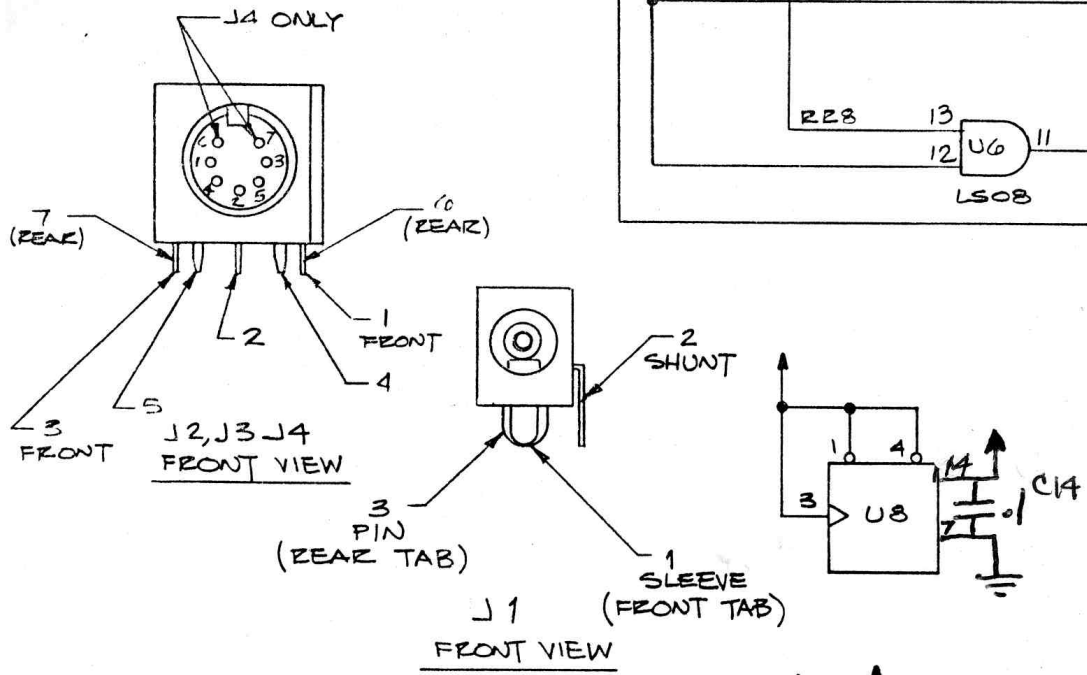
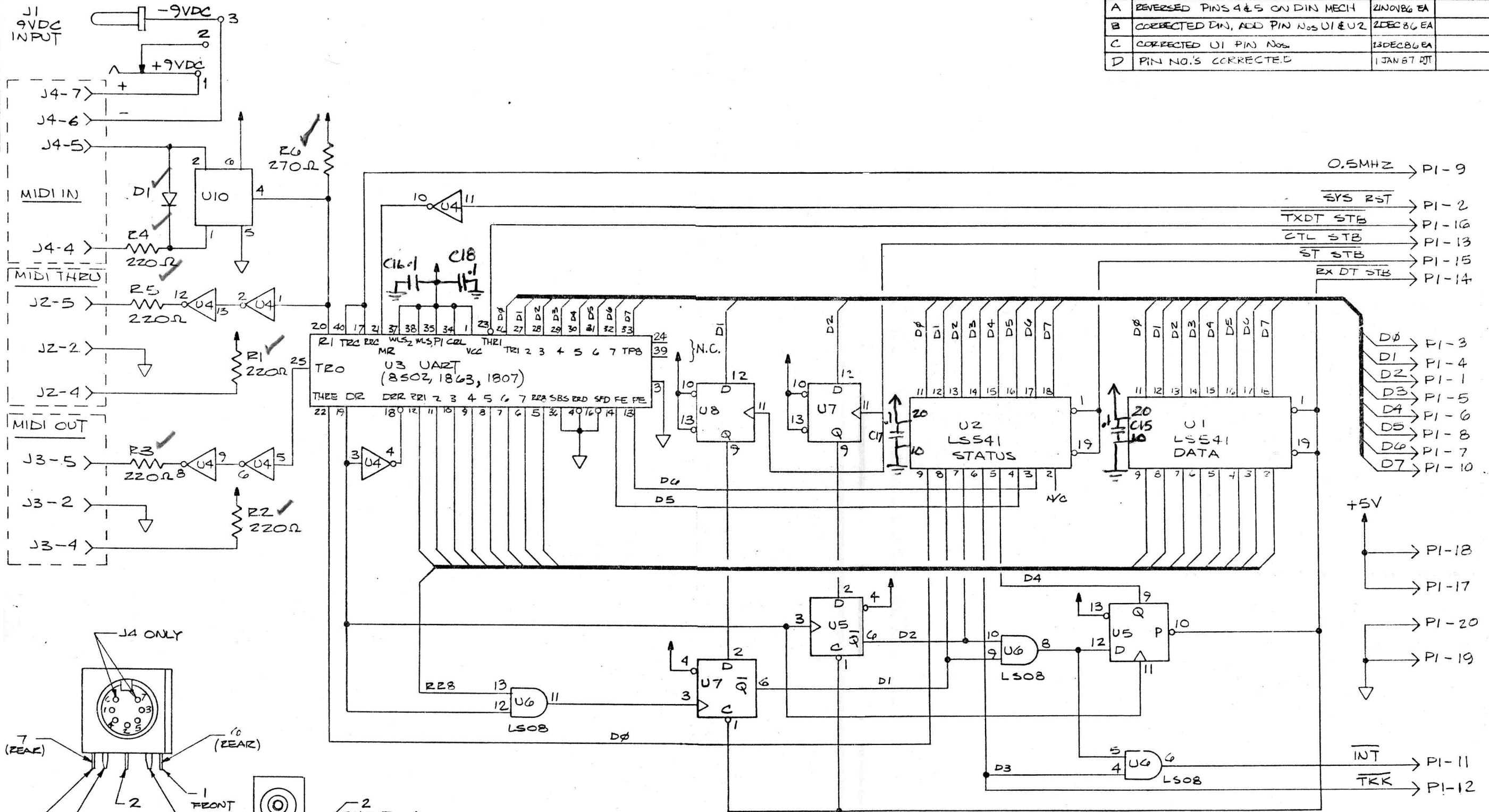


REVISIONS			
LTR	DESCRIPTION	DATE	APPROVED
A	REVERSED PINS 4 & 5 ON DIN MECH	21NOV86 EA	
B	CORRECTED DIN, ADD PIN NOS U1 & U2	2DEC86 EA	
C	CORRECTED U1 PIN NOS	13DEC86 EA	
D	PIN NO.'S CORRECTED	1 JAN 87 JT	



ASSEMBLY NO. 780031

TOLERANCES UNLESS OTHERWISE SPECIFIED FRACTIONS DEC ANGLES ± ± ±		ADA SIGNAL PROCESSORS, INC.			
APPROVALS		DATE		MIDI I/O PCB 680076	
DRAWN EA		19 SEP 86		SCHEMATIC, DIGITAL	
CHECKED		SCALE	SIZE	DRAWING NO.	REV
			C	399	D
DO NOT SCALE DRAWING				SHEET 1 of 2	

SHEET 2 IS 'B' SIZE