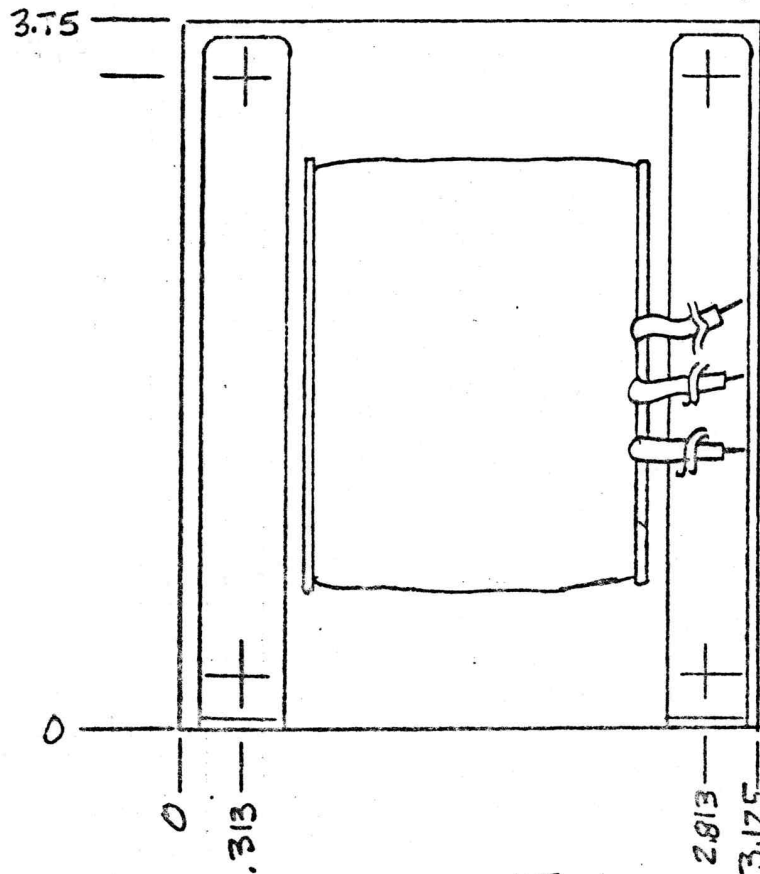
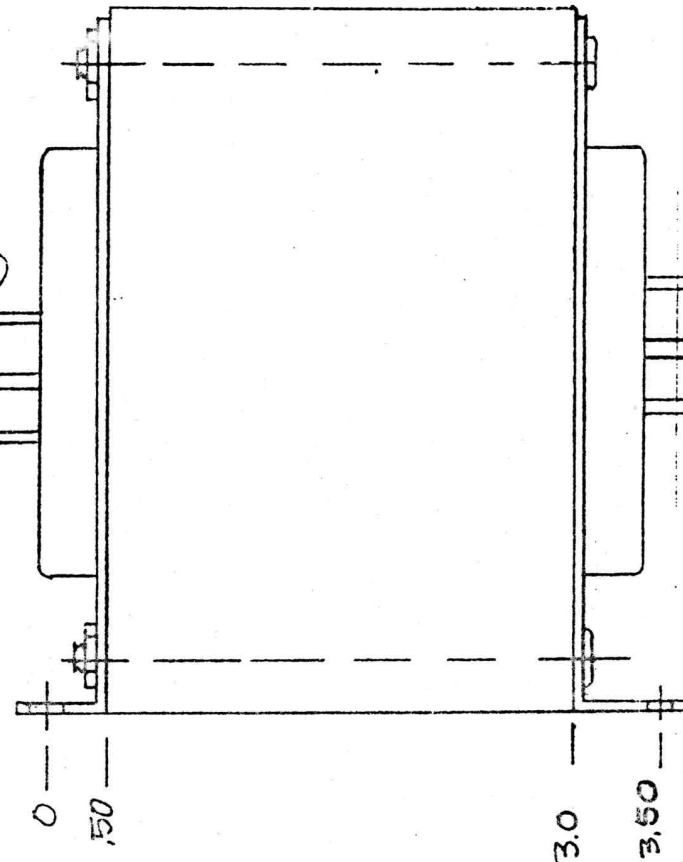
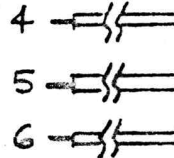




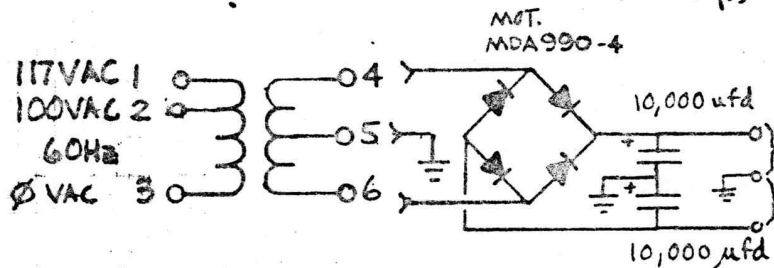
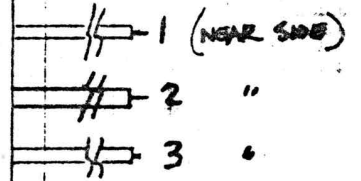
http://www.adadepot.com



L = 8" (NEAR SIDE)



L = 10"



43 VDC @ 3.9 A DC
43 VDC @ 3.9 A DC

D	L = 8" , 4, 5, 6	6-29-89
A	REMOVE EXTRA BRACKET. BOBBIN CHG.	3-5-89
B	CORRECT WIRE LENGTH	3-14-89
C	AGAIN CORRECT WIRE LENGTH	3-29-89

1. 18 AWG WIRE ON ALL TERMINALS
2. VA [SEE D.C. NOTES]
3. BI-125 X 2-7/16
4. 1500 V HIPOT
5. VACUUM IMPREGNATE
6. UL LISTED COMPONENTS.

XFMR, PWR B200S JAPAN & DOMESTIC (240078)

SCALE: 5:1	APPROVED BY: 7-25-88 DJT	DRAWN BY: DJT
DATE:		REVISED 6-29-89
ADA SIGNAL PROCESSORS, INC. 7303 D EDGEWATER DR., OAKLAND, CA 94621		DRAWING NUMBER A 521 D
Bosler XFMRs		